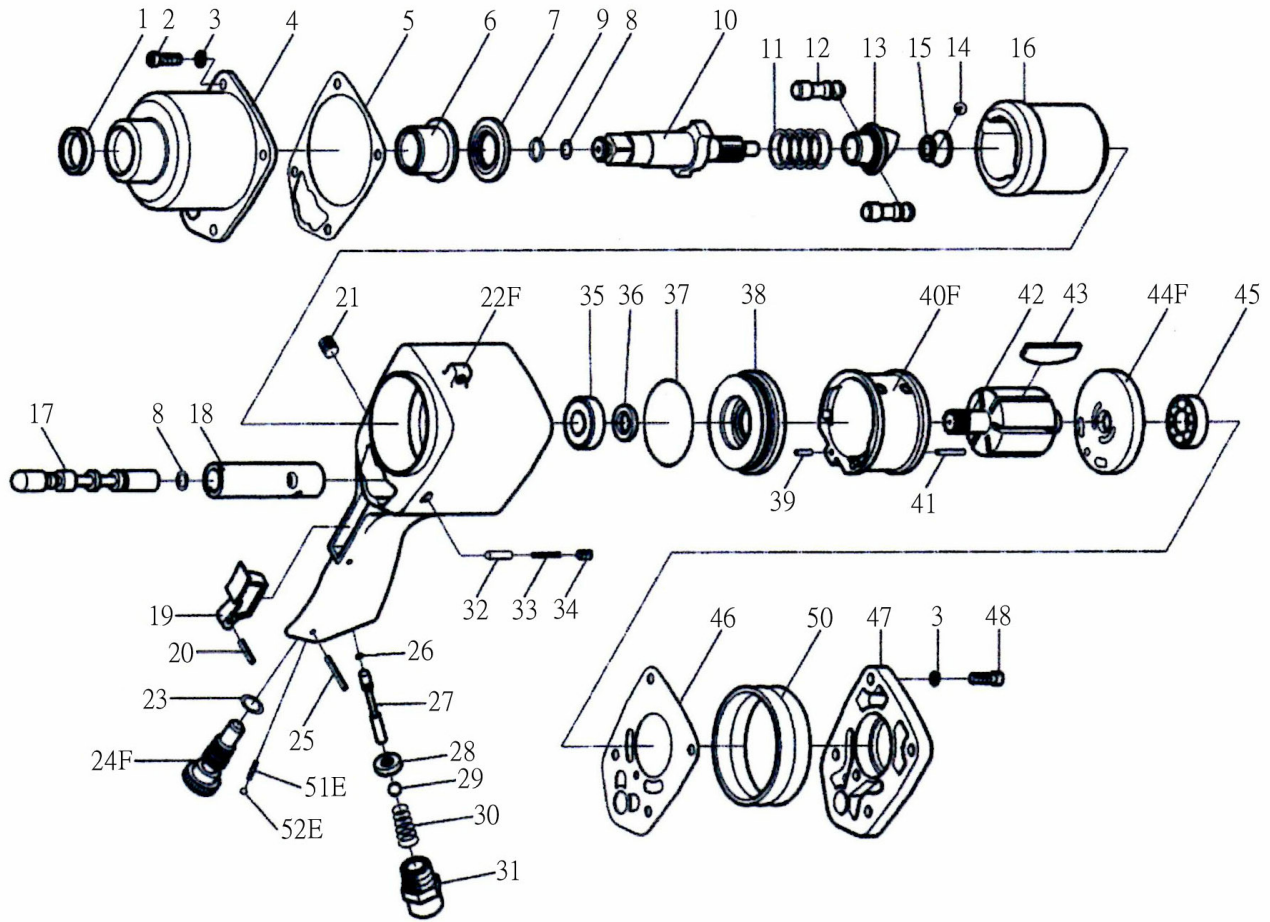




# 1/2" Drive Heavy Duty Air Impact Wrench



## Parts List : 400400G

2012.02

No.	Parts No.	Description	Q'ty
1	043001	Oil Seal	1
2	043002	Cap Screw	4
3	043003	Spring Washer	8
4	043004	Hammer Case	1
5	043005	Hammer Case Gasket	1
6	043006	Anvil Bushing	1
7	043007	Hammer Case Pilot	1
8	043008	O-Ring	2
9	043009	Socket Retainer	1
10	043010	Standard Anvil	1
11	043011	Spring	1
12	043012	Hammer Pin	2
13	043013	Drive Cam	1
14	043014	Steel Ball	1
15	043015	Drive Cam Foundation	1
16	043016	Hammer Cage	1
17	043017	Reverse Valve	1
18	043018	Valve Sleeve	1
19	043019	Trigger	1
20	043020	Trigger Pin	1
21	043021	Set Screw	1
22F	043022F	Motor Housing	1
23	043023	O-Ring	1
24F	043024F	Air Regulator	1
25	043025	Spring Pin	1
26	043026	O-Ring	1

No.	Parts No.	Description	Q'ty
27	043027	Throttle Valve Stem	1
28	043028	Throttle Valve Bushing	1
29	043029	Steel Ball	1
30	043030	Throttle Valve Spring	1
31	043031	Hose Fitting	1
32	043032	Pin	1
33	043033	Spring	1
34	043034	Screw	1
35	043035	Front Rotor Bearing	1
36	043036	Oil Seal	1
37	043037	O-Ring	1
38	043038	Front End Plate	1
39	043039	Spring Pin	1
40F	043040F	Cylinder	1
41	043041	Spring Pin	1
42	043042	Rotor	1
43	043043	Rotor Blade	6
44F	043044F	Rear End Plate	1
45	043045	Rear Rotor Bearing	1
46	043046	Rear Cap Gasket	1
47	043047	Rear Cap	1
48	043048	Screw	4
50	043050	Protecting Rubber	1
51E	043051E	Spring	1
52E	043052E	Steel Ball	1